

DieHard®

POWER AHEAD®

OWNER'S MANUAL

9 GALLON WET/DRY VAC
PRO SERIES

FOR MODEL: DH - 70005-01



FOR MODEL: DH - 70005- 01

CONGRATULATIONS!

You have just purchased a DieHard® Wet Dry Vac. Please read this manual carefully before operating the machine. Model and serial number may be found on your wet dry vac. You should record both model and serial numbers and keep them in a safe place for future use.

For customer service visit: www.diehardwetdryvac.com/product-support

ELECTRICAL RATING - 120 V ~ 60 HZ 10A

CONTENT

- Important safety instructions
- Warnings
- Product description
- Polarized connection
- Double insulation
- Vac assembly
- Casters assembly
- Filter assembly
- Hose management clip assembly
- Operation
- Cleaning the tank
- Filter maintenance
- Storage
- Trouble shooting
- Limited Warranty
- Replacement Parts

IMPORTANT SAFETY INSTRUCTIONS

When using an electric wet dry vac, basic precautions should be followed including:

READ AND UNDERSTAND THIS MANUAL AND ALL INSTRUCTIONS AND LABELS ON THE WET DRY VAC BEFORE OPERATING.

This vacuum cleaner is for domestic use only; it may be used for vacuuming wet or dry materials and as a blower.

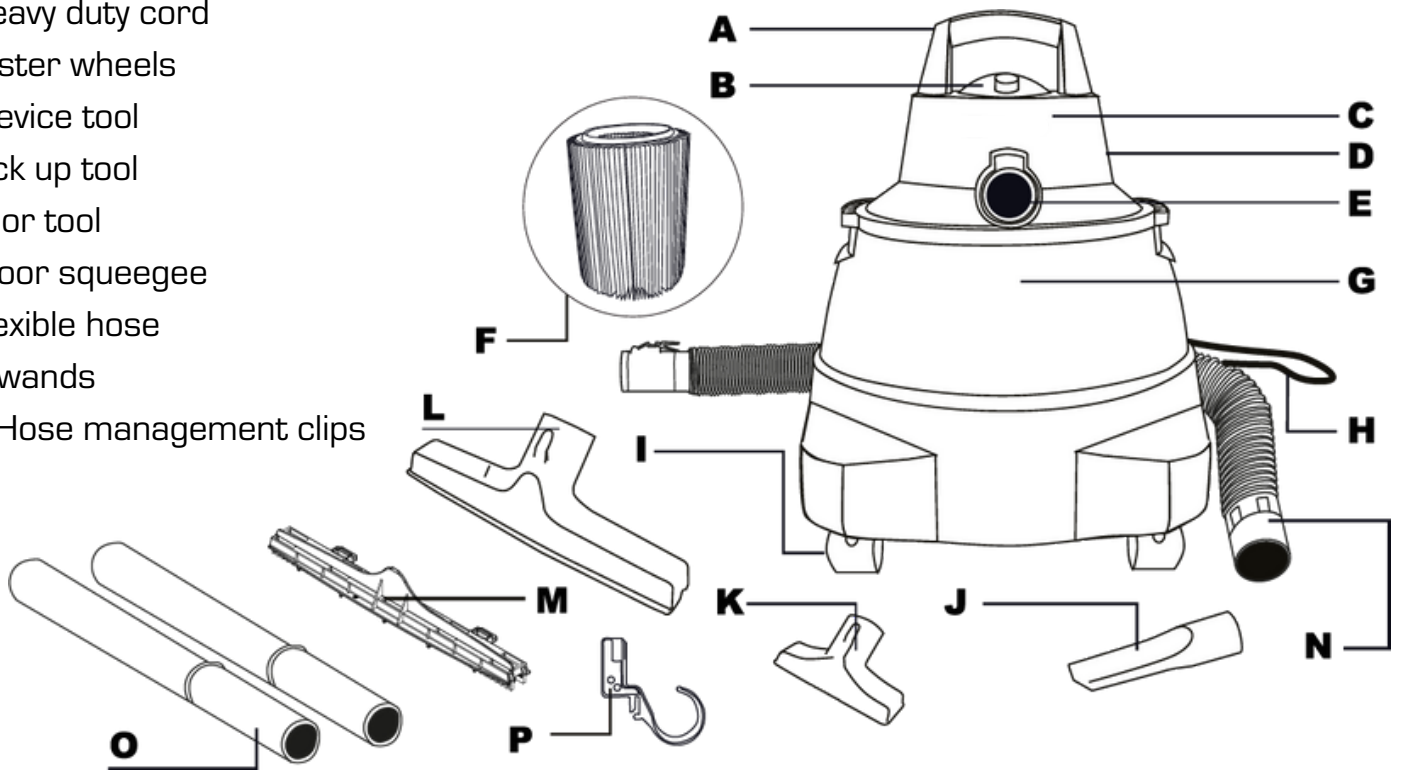
WARNINGS

To reduce the risk of fire, electric shock, or injury:

- Use product only as described in the Owner's Manual, use only manufacturer's recommended attachments.
- If wet dry vac is not working as it should, or if it has been dropped, damaged, or submerged into water, return it to place of purchase.
- Do not use with a damaged cord or plug. If the line cord is damaged it must be replaced by the manufacturer.
- Use only extension cords that are rated for outdoor use. Extension cords in poor condition or too small in wire size can pose fire and shock hazards. To reduce the risk of these hazards, be sure the cord is in good condition and that liquid does not contact the connection. Do not use an extension cord with conductors smaller than 1,3mm² (16 AWG).
- Do not pull or carry by cord, use cord as a handle, close a door on a cord or pull cord around sharp edges or corners, do not run wet dry vac over cord. Keep away from heated surfaces.
- Connect to a properly grounded outlet only. See grounding instructions in Owner's Manual.
- Turn off before unplugging.
- Do not unplug by pulling on cord. To unplug, grasp the plug, not the cord.
- Do not unplug or use wet dry vac with wet hands.
- To reduce the risk of eye injury, wear safety eyewear. The operation of any wet dry vac or blower can result in foreign objects being blown into the eyes, which can result in severe eye damage.
- Keep hair, loose clothing, jewelry, fingers, and all parts of body away from openings and moving parts.
- Use extra care when using on any uneven or sloped su care.
- Use special care when emptying heavily loaded tanks.
- To reduce the risk of back injury or falls, do not lift a wet dry vac that is heavy with liquid or debris. Partially empty by scooping debris or draining liquid.
- Use extra care when cleaning stairs.
- Never use wet dry vac as a pump.
- Do not use to vacuum flammable or combustible liquids, such as gasoline or flammable vapors, or use in areas where such items may be present.
- Do not use to vacuum soot, cement, plaster or drywall dust. These are very fine particles that may pass through the filter and affect the performance of the motor or be exhausted back into the air.
- Do not use to vacuum toxic or hazardous materials.
- Do not use to vacuum anything that is burning or smoking; such as cigarettes, matches or hot ashes.
- Do not use this wet dry vac to vacuum lead paint debris because this may disperse fine lead particles into the air.
- Do not leave your wet dry vac plugged in. Unplug from outlet when not in use and before servicing.
- Do not put any object into openings. Do not use with any opening blocked. Keep free of dust, lint, hair and anything that may reduce air flow.
- Do not vacuum solids without filter in place. See Operations section of the Owner's Manual for filter instructions.
- Do not use as a blower without filter in place. See Operations section of the Owner's Manual for filter instructions.
- Remove filter when vacuuming liquids. Do not vacuum liquids with filter in place. See Operations section of the Owner's Manual for filter instructions.
- This wet dry vac is not intended for use by persons (including children) with reduced physical, reduced sensory, or reduced mental capabilities, or lack of experience or knowledge, unless they have been given supervision or instruction concerning use of the appliance by a person responsible for their safety.
- Do not allow the wet dry vac to be used as a toy, or to run unattended at any time. If used near children, close supervision is necessary.
- Do not store outdoors. To reduce the risk of electric shock, do not expose to rain or allow liquid to enter motor compartment. Store indoors.

PRODUCT DESCRIPTION

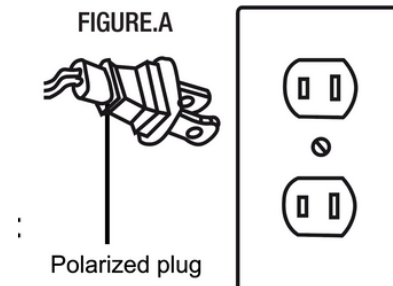
- A. Easy grip handle
- B. On/Off switch
- C. Motor head
- D. Exhaust port/blower (not visible)
- E. Vacuum port
- F. Cartridge filter
- G. Tank
- H. Heavy duty cord
- I. Caster wheels
- J. Crevice tool
- K. Pick up tool
- L. Floor tool
- M. Floor squeegee
- N. Flexible hose
- O. 2 wands
- P. 2 Hose management clips



NOTE: Not all accessories are included with all models. Check panel on box for more information.

POLARIZED CONNECTION

This appliance is for use on a 120V~ circuit, and has a polarized plug as shown in figure A.



DOUBLE INSULATION

- DOUBLE INSULATION:** Grounding not required. When servicing, use only identical replacement parts.

VAC ASSEMBLY



WARNING

Always unplug the vac from the outlet current, before performing any maintenance.

1. Line up the motor head with the tank. Pull the side latches out and lower the head. Snap the latches into place. (Fig. 1)
2. Connect the hose to the vacuum port until the lock clicks. (Fig. 2)
3. To release the hose, pull out.
4. Place the desired accessory on the other end of the hose. (Fig. 3)
5. Familiarize yourself with the control and features of your wet dry vac.
6. To disconnect the hose, press on the positive lock button and pull the hose out.

NOTE: Not all accessories are included with all models. Check panel on box for more information.

Fig. 1

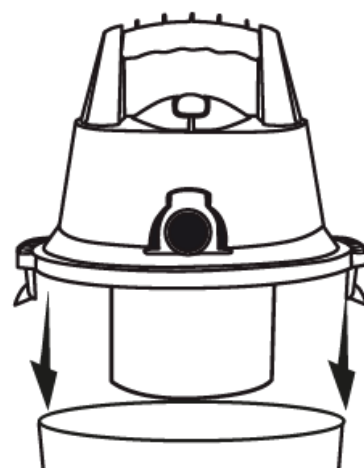


Fig. 2

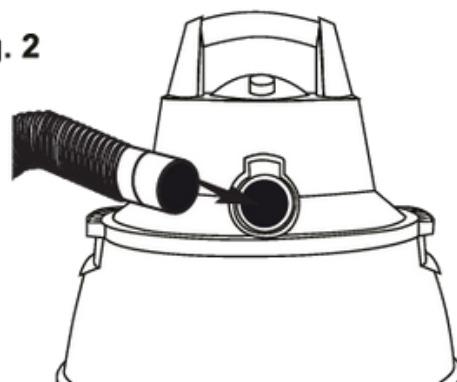
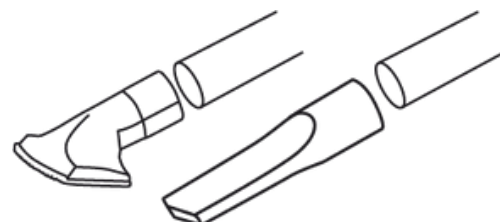


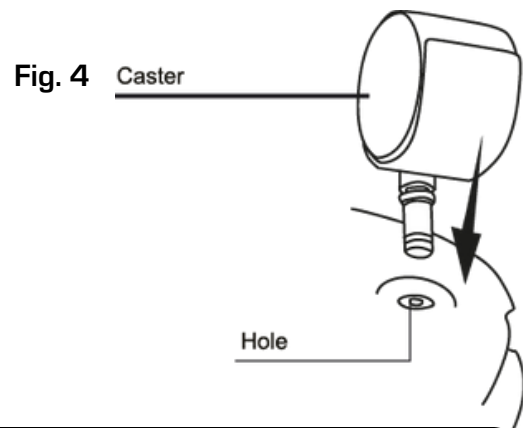
Fig. 3



CASTERS ASSEMBLY

To assemble the casters on the unit:

1. Ensure the wet dry vac is unplugged.
2. Remove the motor head.
3. Turn tank upside down on the floor.
4. Insert plastic caster feet into the bottom of the tank. (Fig. 4) When inserting the caster feet, push until they are flush with bottom of the tank.
5. Turn the tank back right side up.
6. Replace the motor head - pull the side latches out and lower the head. Snap the latches into place.

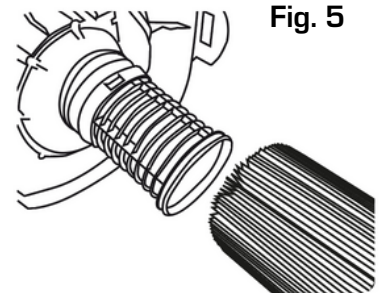


FILTER ASSEMBLY

Cartridge filter must be in place when vacuuming solids.

When vacuuming liquids, the cartridge filter must be removed.

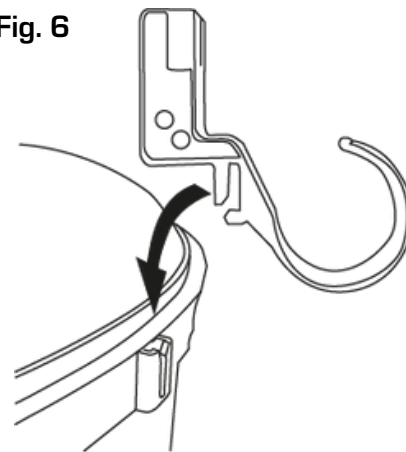
1. Ensure wet dry vac is unplugged.
2. Lift the motor head off of the tank by unclipping the side latches.
3. Slide cartridge filter over cage until the filter stops against the lid. (Fig. 5)
4. Replace motor head and clip side latches into place.



HOSE MANAGEMENT CLIP ASSEMBLY

1. Make sure the wet dry vac motor head is correctly assembled to the tank.
2. Place the hose management clip with a slight angle in the space assigned for this accessory. (Fig. 6)
3. Center the hose management clip and push it down.

Fig. 6



OPERATION

IMPORTANT: To avoid damage to the unit do not let the motor run with a full tank.



TO VACUUM SOLIDS

NEVER vacuum solids **WITHOUT THE FILTER**, this will damage the machine and invalidate the warranty.

To vacuum solids, filter must be in place

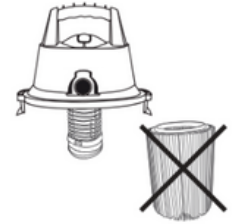
1. Ensure wet dry vac is unplugged.
2. Ensure the filter is in place.
3. Place the hose into the vacuum port, attach the desired accessory to the hose.
4. Plug wet dry vac into outlet.
5. Turn wet dry vac "ON" and you are ready to use your wet dry vac to vacuum solids.

OPERATION (CONT.)



TO VACUUM LIQUIDS

NEVER vacuum liquids **WITH THE FILTER IN PLACE**, this will damage the filter and invalidate the warranty.



To vacuum liquids, filter must be removed

1. Ensure wet dry vac is unplugged.
2. Lift the motor head off of the tank by unclipping the side latches.
3. Remove the cartridge filter from the motor grille, or the dust bag from the suction port.
4. Replace the motor head and clip the side latches into place.
5. Place the hose in the suction port, attach the desired accessory to the hose.
6. Plug wet dry vac into outlet.
7. Turn wet dry vac "ON" and you are ready to use your wet dry vac to vacuum liquids.
8. When vacuuming liquids the unit has a float that will rise to the top and shut off suction when the tank is full.
9. When ready to empty liquids from the tank, turn off the wet dry vac and unplug it from the outlet.
10. Dump out liquids. Emptying the tank will increase the motor's RPMs.
11. All liquids must be removed prior to vacuuming solids or using as an air blower.



WARNING

To avoid back injury or falls, do not lift a vac heavy with liquid or debris. Scoop or drain enough contents out to make the vac light enough to lift comfortably.

OPERATION (CONT.)



TO USE AS AN AIR BLOWER

NEVER use as an air blower **WITHOUT THE FILTER**, this will damage the machine and invalidate the warranty.

This DieHard wet dry vac also functions as an air blower. It has the capability to blow sawdust and other debris. It is excellent to use to blow dust and debris out of garages or off patios and driveways.



WARNING

To avoid injury to bystanders, keep them clear of blowing debris. The operation of any utility vac can result in foreign objects being blown into the eyes, which can result in severe eye damage. Always wear safety goggles.

Keep hair, loose clothing, jewelry, fingers, and all parts of body away from vacuum port when operating as an air blower.

To use as an air blower, filter must be in place

1. Ensure wet dry vac is unplugged.
2. Ensure the filter is in place.
3. Locate the blowing port of your wet dry vac.
4. Remove muffler and insert flexible end of the hose into the blowing port.
5. Plug wet dry vac into outlet.
6. Turn wet dry vac "ON" and you are ready to use your wet dry vac as a blower.

CLEANING THE TANK

1. Unplug power cord.
2. Remove the hose.
3. Unlock the side latches and remove the motor head. (Fig. 7)
4. Place motor head cover upside down on a clean surface.
5. Dump tank contents into a waste container. (Fig. 8)
6. Wash drum thoroughly.
7. Wipe out with dry cloth.
8. Replace motor head and clip side latches into place.

WARNING



To avoid back injury or falls, do not lift a vac heavy with liquid or debris. Scoop or drain enough contents out to make the vac light enough to lift comfortably.

GENERAL MAINTENANCE:

To keep your wet dry vac looking its best, clean the outside with a cloth dampened with water and mild soap.

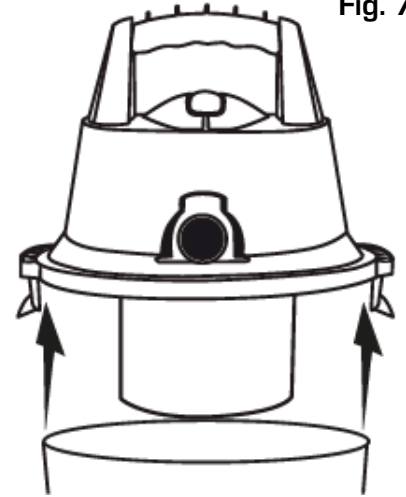


Fig. 7

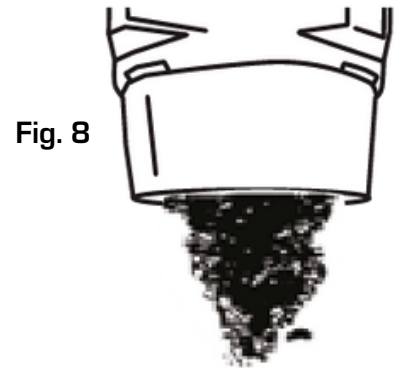


Fig. 8

FILTER MAINTENANCE

WARNING:

To avoid injury from accidental starting, unplug power cord before changing or cleaning filter.

1. For best cleaning results, clean the cartridge filter outdoors in an open area.
2. Unplug power cord.
3. Unlock the side latches and remove the motor head.
4. Place motor head cover upside down on a clean surface.
5. Remove the cartridge filter from the cage.
6. Remove the dry debris from the cartridge filter by gently tapping the filter against the inside wall of the tank.
7. **IMPORTANT:** After cleaning the cartridge filter, check for holes. If any holes are found, replace the cartridge filter immediately. Even small holes will permit dust to come out of the vac.
8. Slide the cartridge filter over cage until the filter stops against the lid.
9. Replace motor head and clip side latches into place.

IMPORTANT: Change cartridge filter frequently. Your cartridge filter should be changed often to maintain peak wet dry vac performance.

This filter is made of high quality materials designed to stop very small particles of dust. Handle the filter carefully when removing to clean or installing it. Creases in the filter pleats may occur from installation but creases will not affect the performance of the filter.

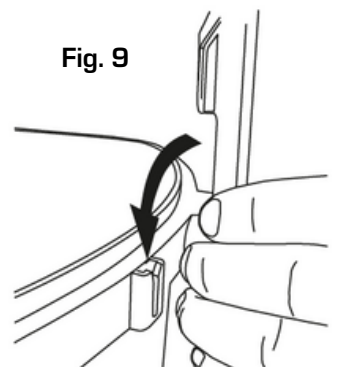
**Always use the wet dry vac with the filter when vacuuming dry debris and dust.
When vacuuming liquids, remove the filter.**

STORAGE

Before storing your wet dry vac, the dust tank should be emptied and cleaned.

Accessories should be stored on the tool caddy. (Fig. 9)

The wet dry vac should be stored indoors.



TROUBLE SHOOTING

PROBLEM	POSSIBLE CAUSE	POSSIBLE SOLUTION
Vac does not start	Not firmly plugged in.	Plug in firmly.
Low suction	Tank is full.	Empty tank.
	Filter is dirty.	Shake dust out of filter. See "Filter Maintenance" section. Change filter.
	Motor head not installed correctly.	Be sure that the motor head sits properly on the tank.

TROUBLE SHOOTING, CON'T

PROBLEM	POSSIBLE CAUSE	POSSIBLE SOLUTION
Low suction, con't	Obstruction in hose.	<p>Connect the hose to the blowing port and turn on to blow obstruction out of hose until hose is clear.</p> <p>WARNING: To avoid injury to bystanders, keep them clear of blowing debris. The operation of any utility vac can result in foreign objects being blown into the eyes, which can result in severe eye damage. Always wear safety goggles. Keep hair, loose clothing, jewelry, fingers, and all parts of body away from vacuum port when operating as an air blower.</p>

DieHard

POWER AHEAD

LIMITED WARRANTY

LIMITED WARRANTY

Equity Sales and Marketing, Inc., ("ESM") warrants this product against defects in workmanship or material. This is the lifetime Limited Warranty against manufacturing defects. Warranty coverage ends when the product becomes unusable for reasons other than defects in workmanship or material. This warranty is valid only in the United States.

THIS WARRANTY SHALL NOT APPLY to any products or parts thereof which have been damaged by acts of nature, accidents, negligence, commercial use, tampering, misuse or abuse, or which have been altered or modified (including removal of the serial number) or repaired by an unauthorized person or service center. Misuse includes, among other things, connection to improper voltage supply. Further, this warranty does not cover cosmetic damage to the product.

THIS WARRANTY SHALL NOT APPLY to brushes, wheels, casters, hoses, or accessories since their life depends upon the amount of use.

THIS WARRANTY SHALL NOT APPLY to a product used to pick up dust and dry materials without a filter in place.

THIS WARRANTY SHALL NOT APPLY to a product used to pick up liquids with a filter in place.

THIS WARRANTY SHALL NOT APPLY to a product used to blow sawdust and other debris without a filter in place.

THIS WARRANTY SHALL NOT APPLY to a product used in a manner contrary to any of the sections of the Owner's Manual (including the Warnings in the Owner's Manual and on reverse side of this page).

FOR REPAIR OR REPLACEMENT the inoperative machine must be delivered with shipping and delivery charges prepaid together with the receipt, bill of sale, or receipted invoice which is evidence of the purchase date to place of purchase. ESM will either repair or replace, at its selection, all defective machines during the warranty period.

This limited warranty is the sole and exclusive warranty for the ESM product. No employee, agent, dealer, or other person is authorized to alter this warranty or make other warranty on behalf of ESM.

REPAIR OR REPLACEMENT AS PROVIDED UNDER THIS WARRANTY IS THE EXCLUSIVE REMEDY TO THE CONSUMER. ESM SHALL NOT BE LIABLE FOR ANY DIRECT, INDIRECT, SPECIAL, INCIDENTAL, OR CONSEQUENTIAL DAMAGES FOR BREACH OF ANY EXPRESS OR IMPLIED WARRANTY ON THIS PRODUCT, EXCEPT TO THE EXTENT PROHIBITED BY APPLICABLE LAW, ANY IMPLIED WARRANTY OF MERCHANTABILITY OR FITNESS FOR A PARTICULAR PURPOSE IS LIMITED IN DURATION TO THE DURATION OF THIS WARRANTY. ESM'S LIABILITY UNDER NO CIRCUMSTANCES WILL EXCEED THE CONTRACT PRICE FOR THE PRODUCT OR PARTS FOR WHICH LIABILITY IS CLAIMED.

The foregoing obligations are in lieu of all other obligations and liabilities including negligence and state ESM's entire exclusive liability and the purchaser's exclusive remedy. This warranty gives you specific legal rights, and you may also have other rights which vary from state to state. Some states do not allow the exclusion or limitation of incidental or consequential damages, or allow limitations on how long an implied warranty lasts, so the above limitations or exclusions do not apply to you.

For more information visit: www.diehardwetdryvac.com/product-support

DieHard®

POWER AHEAD™

REPLACEMENT PARTS

For information on replacement parts please visit:

www.diehardwetdryvac.com/replacementparts